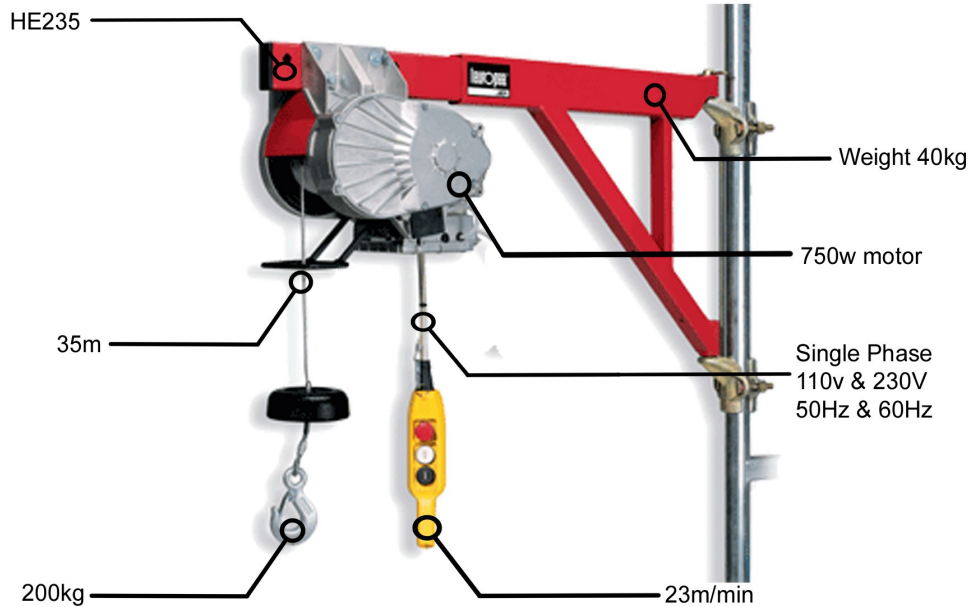
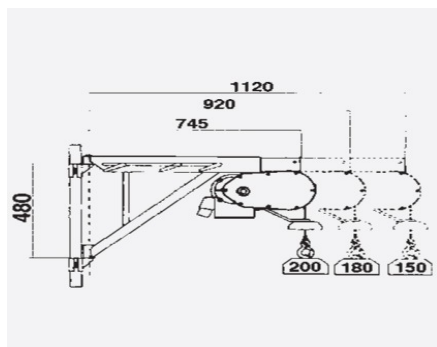


## HE235 Scaffold Hoist



|                             |                        |
|-----------------------------|------------------------|
| <b>Model</b>                | <b>HE235</b>           |
| <b>Motor Type</b>           | <b>Single Phase</b>    |
| <b>Voltage</b>              | <b>110v / 220v</b>     |
| <b>Frequency</b>            | <b>50Hz / 60Hz</b>     |
| <b>Power</b>                | <b>750w</b>            |
| <b>Max Lifting Capacity</b> | <b>200kg</b>           |
| <b>Cable Length</b>         | <b>40m</b>             |
| <b>Lifting Speed</b>        | <b>23m/min</b>         |
| <b>Cable Diameter</b>       | <b>5mm</b>             |
| <b>Hoist Weight</b>         | <b>40kg</b>            |
| <b>Dimensions (mm)</b>      | <b>830 x 270 x 520</b> |
| <b>Max Cable Length</b>     | <b>35m</b>             |



### Gantry System Conversion (Optional Extra)

